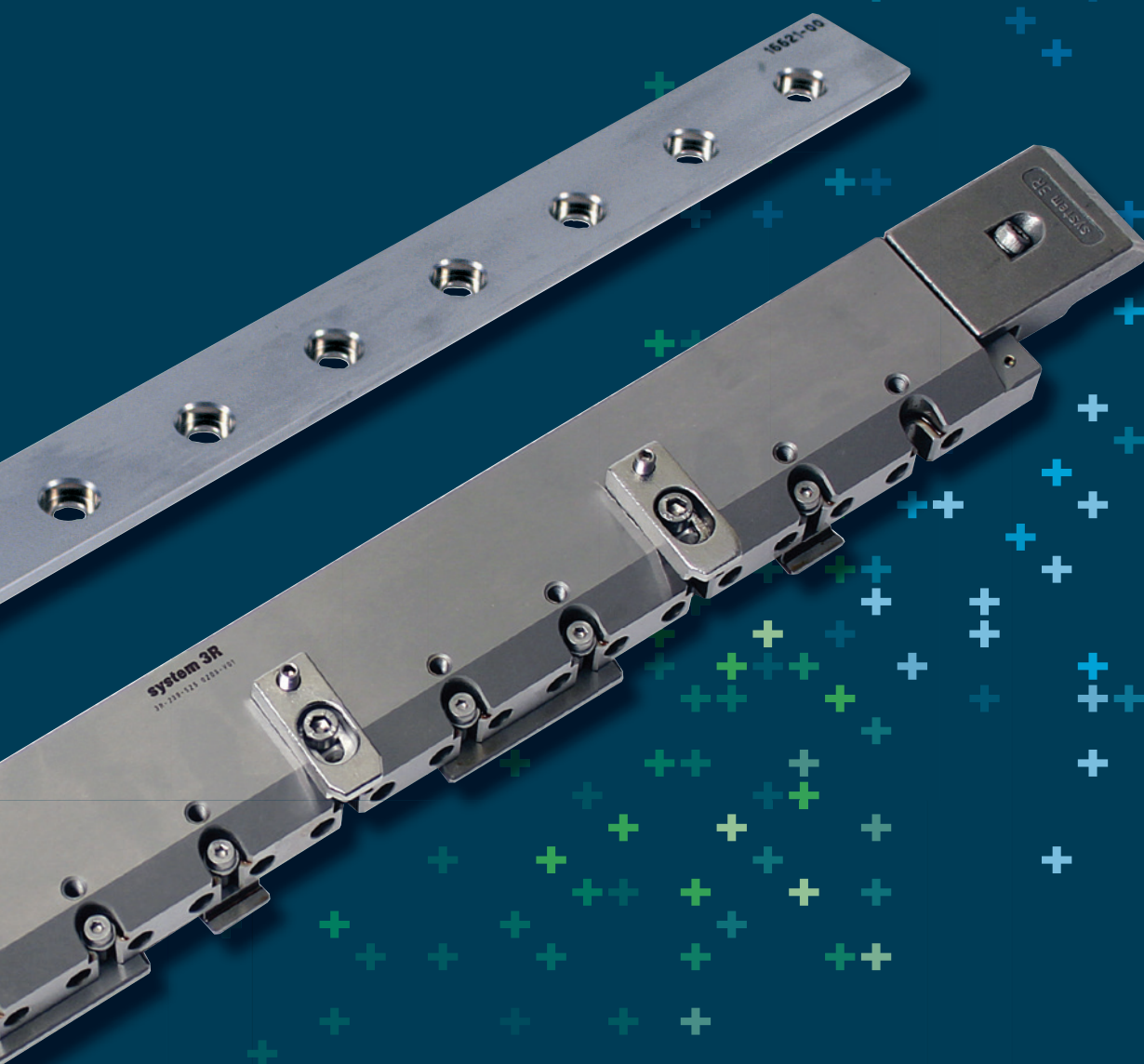


Makino + System 3R tooling

Ledger for Reference elements and 3Rulers



This ledger is only to guide suitable length of reference elements and 3Ruler for specific machine model. Contents for 3Rulers and/or reference elements, see also TPS-sheets covering the range of 3R-200.yyJ-x, 3R-239-xxx and accessories.

Makino

Model	Tooling configuration for X-axis		Tooling configuration for Y-axis		MIC-xxxx	
	Ref. element	3R-239-xxx	Ref. element	3R-239-xxx		
PX36	3R-200.49J-1	695.86	3R-200.3J-4	525	2854	Page: 3
U3 H.E.A.T. (Square)	3R-200.44J-1	415	3R-200.3J-1	315	2830	Page: 4
U3 (U-shape)	3R-200.44J-1	415	3R-200.3J-1	N.a.	2831	Page: 5
U3i (Square)	3R-200.44J-1	415	3R-200.3J-1	315	2830	Page: 4
U6 H.E.A.T. (Square)	3R-200.6J-1	695.86	3R-200.3J-1	495	2832	Page: 6
U6 (U-shape)	3R-200.6J-1	695.86	3R-200.3J-1	N.a.	2833	Page: 7
U6i (Square)	3R-200.6J-1	695.86	3R-200.3J-1	495	2832	Page: 6
U32j (Square)	3R-200.44J-1	415	3R-200.3J-1	315	2836	Page: 8
U32j (U-shape)	3R-200.44J-1	415	3R-200.3J-1	N.a.	2837	Page: 9
U53j (Square)	3R-200.6J-1	595	3R-200.6J-1	415	2838	Page: 10
U53j (U-shape)	3R-200.6J-1	595	3R-200.6J-1	N.a.	2839	Page: 11
U53Tj (Square)	3R-200.6J-1	595	3R-200.6J-1	415	2838	Page: 10
U53Tj (U-shape)	3R-200.6J-1	595	3R-200.6J-1	N.a.	2839	Page: 11
U86 (L-shape)	3R-200.3J-4	865.86	3R-200.2J-1	N.a.	2840	Page: 12
U1310	3R-200.5J-2	1375***	3R-200.4J-1	N.a.	2842	Page: 13
UP6	3R-200.49J-1	695.86	3R-200.3J-4	525	2854	Page: 14
UP32j (Square)	3R-200.44J-1	415	3R-200.3J-1	315	2836	Page: 8
UP32j (U-shape)	3R-200.44J-1	415	3R-200.3J-1	N.a.	2837	Page: 9
UP53j (Square)	3R-200.6J-1	595	3R-200.6J-1	415	2838	Page: 10
UP53j (U-shape)	3R-200.6J-1	595	3R-200.6J-1	N.a.	2839	Page: 11
UPV-3	3R-200.44J-1	415	3R-200.3J-1	315	2834	Page: 15
UPV-5	3R-200.6J-1	595	3R-200.6J-1	415	2835	Page: 16
W32FB (Square)	3R-200.44J-1	415	3R-200.3J-1	315	2836	Page: 8
W32FB (U-shape)	3R-200.44J-1	415	3R-200.3J-1	N.a.	2837	Page: 9
W53FB (Square)	3R-200.6J-1	595	3R-200.6J-1	415	2838	Page: 10
W53FB (U-shape)	3R-200.6J-1	595	3R-200.6J-1	N.a.	2839	Page: 11

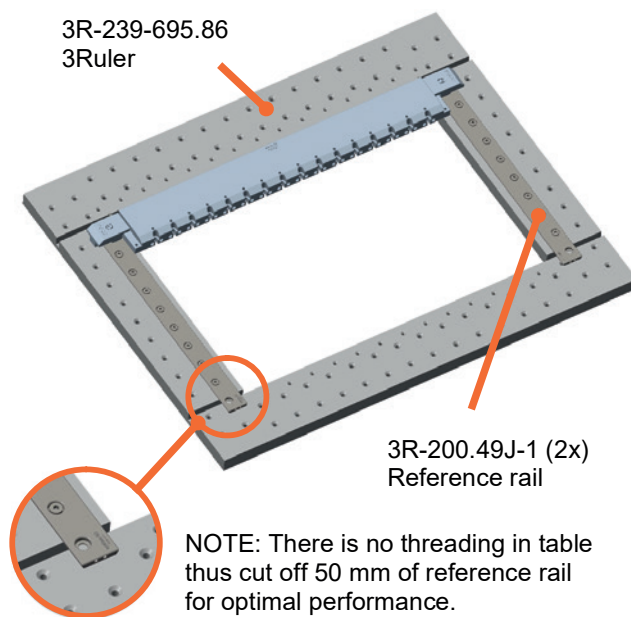
*** 3Ruler is supplied by article no.: D-30227

MIC – Machine Interface Configuration

November 15, 2018

Subject to modifications
MIC-2854

Makino – PX36, UP6



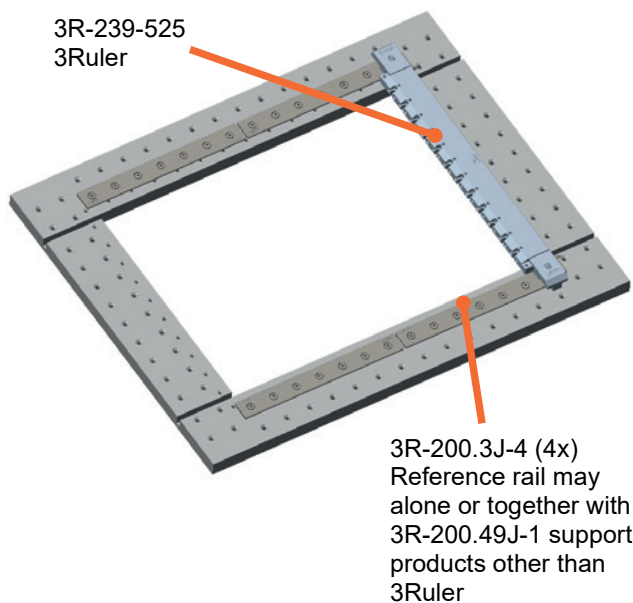
Machine table without tooling

Working area:
X: 650 mm
Y: 470 mm

Horizontal configuration

This configuration display one 3Ruler, but two cross bars may be used.

Working area:
X: 650 mm
Y: 371 mm



Vertical configuration

This configuration display one 3Ruler, but two cross bars may be used.

Working area:
X: 612 mm
Y: 470 mm

See also TPS-sheet "3R-239-xxx" covering 3Ruler and recommended accessories.

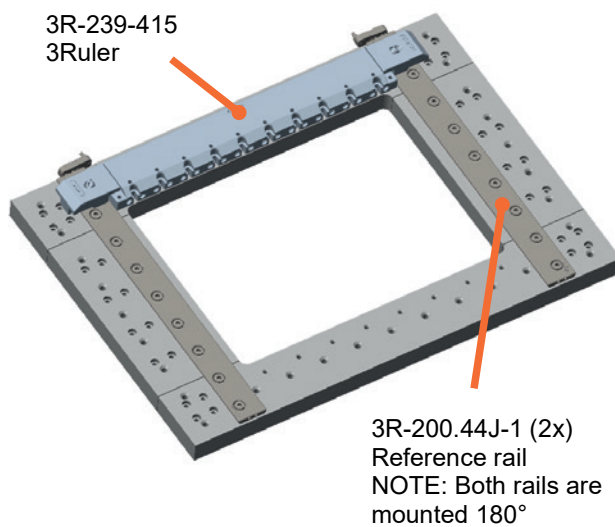
Note: The reference rail also enables the use of other products like: 3R-218-S, 3R-243.2-1 or 3R-272HP.

MIC – Machine Interface Configuration

June 2, 2021

Subject to modifications
MIC-2830

Makino – U3i, U3 H.E.A.T (Square)



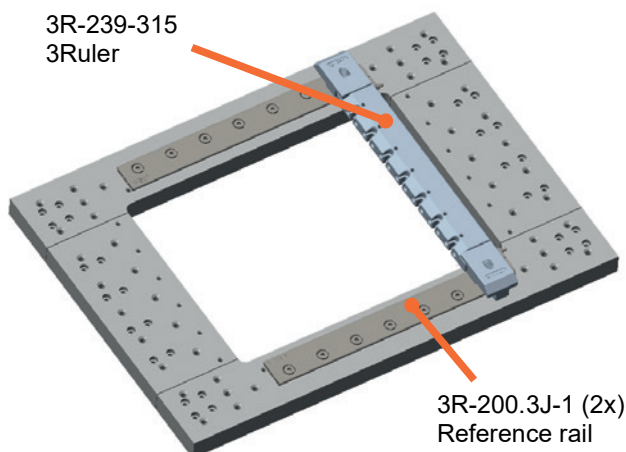
Machine table without tooling

Working area:
X: 370 mm
Y: 270 mm

Horizontal configuration

This configuration display one 3Ruler, but two cross bars may be used.

Working area:
X: 370 mm
Y: 270 mm



Vertical configuration

This configuration display one 3Ruler, but two cross bars may be used.

Working area:
X: 312 mm
Y: 270 mm

See also TPS-sheet "3R-239-xxx" covering 3Ruler and recommended accessories.

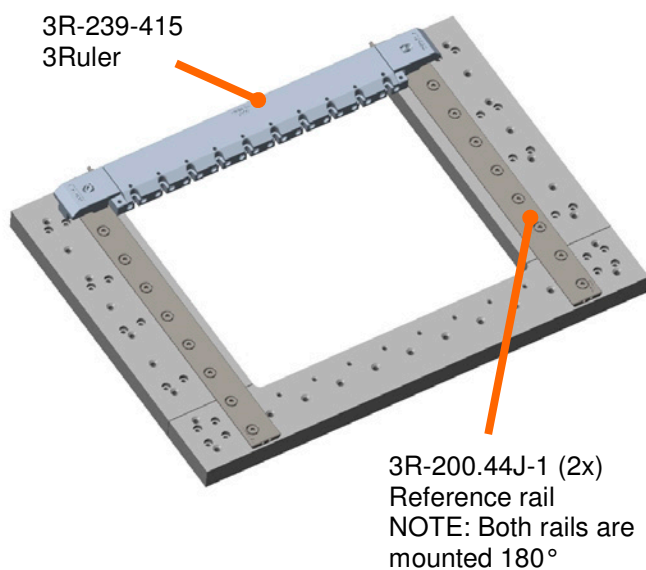
Note: The reference rail also enables the use of other products like: 3R-218-S, 3R-243.2-1 or 3R-272HP.

MIC – Machine Interface Configuration

November 11, 2018

Subject to modifications
MIC-2831

Makino – U3 (U-shape)



3R-239-415
3Ruler

3R-200.44J-1 (2x)
Reference rail
NOTE: Both rails are
mounted 180°

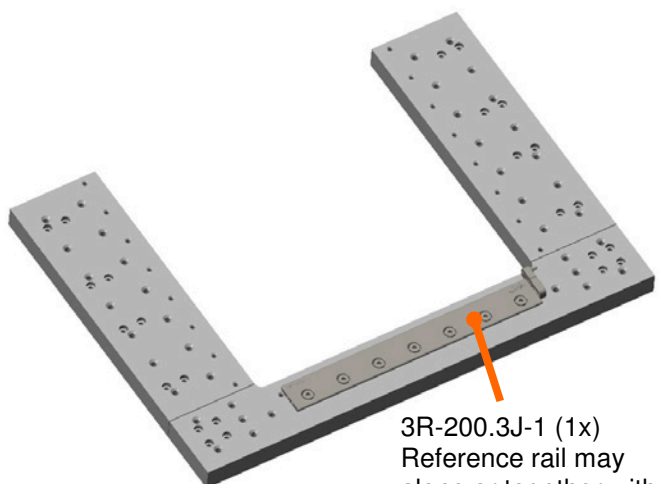
Machine table without tooling

Working area:
X: 370 mm
Y: 270 mm

Horizontal configuration

This configuration display one 3Ruler,
but two cross bars may be used.

Working area:
X: 370 mm
Y: 270 mm



3R-200.3J-1 (1x)
Reference rail
alone or together with
3R-200.44J-1 support
products other than
3Ruler

Vertical configuration

This U-shaped machine-table, does
not support 3Ruler.

Working area:
X: 370 mm
Y: 270 mm

See also TPS-sheet “3R-239-xxx” covering
3Ruler and recommended accessories.

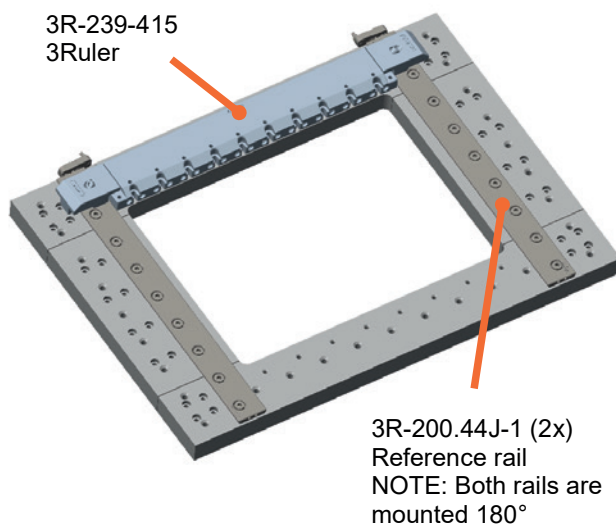
Note: The reference rail also enables the
use of other products like: 3R-218-S,
3R-243.2-1 or 3R-272HP.

MIC – Machine Interface Configuration

June 2, 2021

Subject to modifications
MIC-2830

Makino – U3i, U3 H.E.A.T (Square)



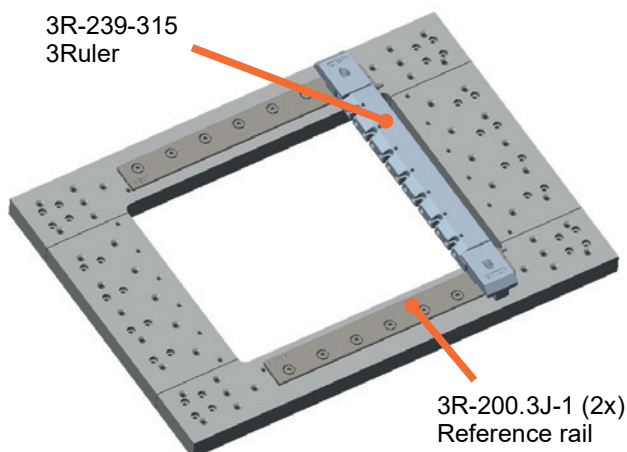
Machine table without tooling

Working area:
X: 370 mm
Y: 270 mm

Horizontal configuration

This configuration display one 3Ruler, but two cross bars may be used.

Working area:
X: 370 mm
Y: 270 mm



Vertical configuration

This configuration display one 3Ruler, but two cross bars may be used.

Working area:
X: 312 mm
Y: 270 mm

See also TPS-sheet “3R-239-xxx” covering 3Ruler and recommended accessories.

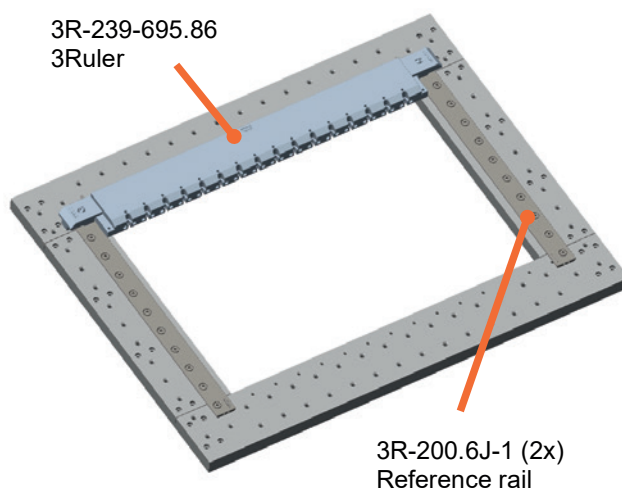
Note: The reference rail also enables the use of other products like: 3R-218-S, 3R-243.2-1 or 3R-272HP.

MIC – Machine Interface Configuration

June 2, 2021

Subject to modifications
MIC-2832

Makino – U6i, U6 H.E.A.T (Square)



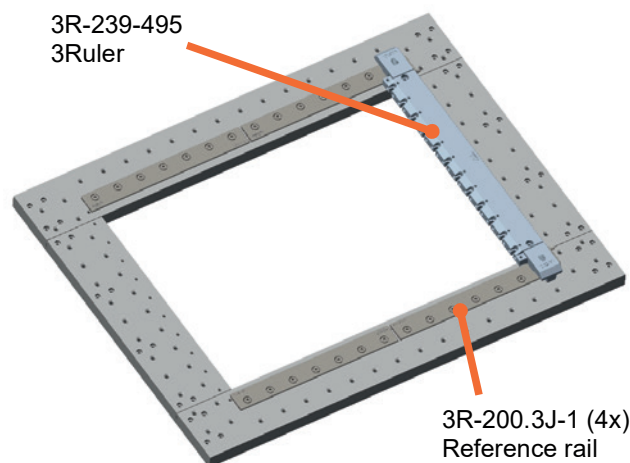
Machine table without tooling

Working area:
X: 650 mm
Y: 450 mm

Horizontal configuration

This configuration display one 3Ruler, but two cross bars may be used.

Working area:
X: 650 mm
Y: 411 mm



Vertical configuration

This configuration display one 3Ruler, but two cross bars may be used.

Working area:
X: 612 mm
Y: 450 mm

See also TPS-sheet "3R-239-xxx" covering 3Ruler and recommended accessories.

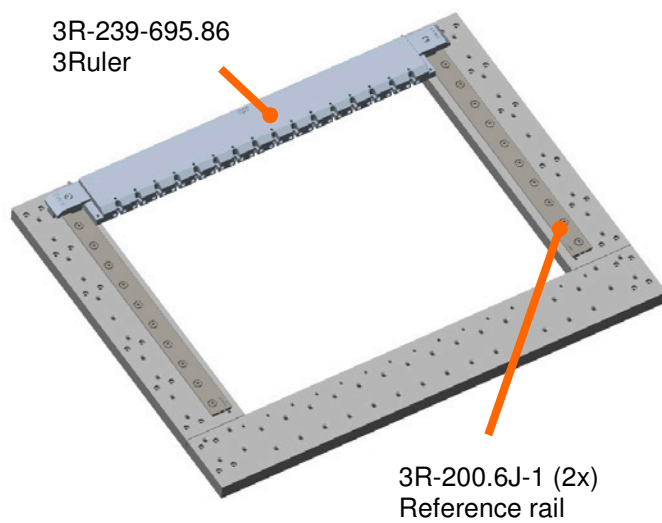
Note: The reference rail also enables the use of other products like: 3R-218-S, 3R-243.2-1 or 3R-272HP.

MIC – Machine Interface Configuration

November 11, 2018

Subject to modifications
MIC-2833

Makino – U6 (U-shape)



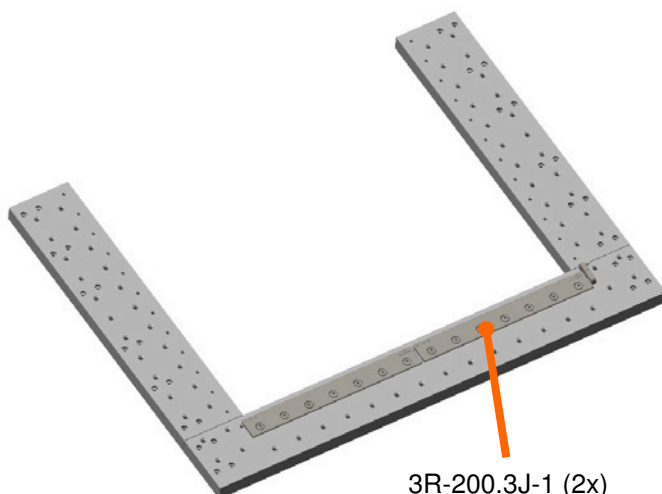
Machine table without tooling

Working area:
X: 650 mm
Y: 450 mm

Horizontal configuration

This configuration display one 3Ruler, but two cross bars may be used.

Working area:
X: 650 mm
Y: 450 mm



Vertical configuration

This U-shaped machine-table, does not support 3Ruler.

Working area:
X: 650 mm
Y: 450 mm

See also TPS-sheet “3R-239-xxx” covering 3Ruler and recommended accessories.

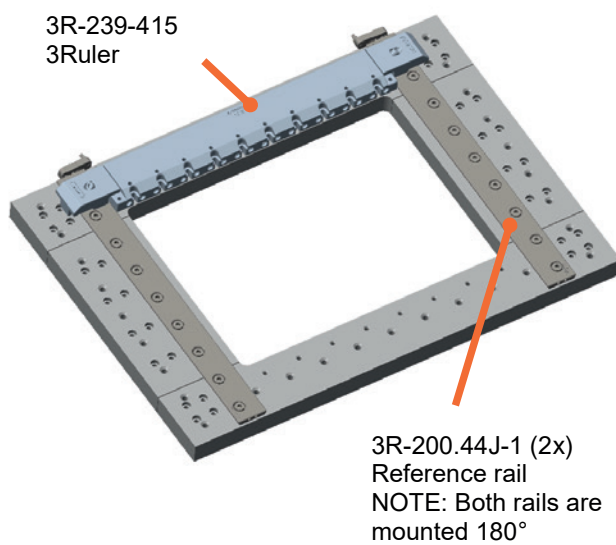
Note: The reference rail also enables the use of other products like: 3R-218-S, 3R-243.2-1 or 3R-272HP.

MIC – Machine Interface Configuration

July 10, 2019

Subject to modifications
MIC-2836

Makino – U32j, UP32j, W32FB (Square)



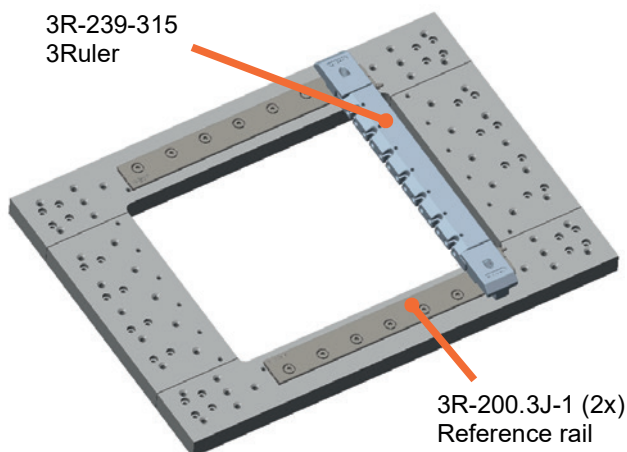
Machine table without tooling

Working area:
X: 370 mm
Y: 270 mm

Horizontal configuration

This configuration display one 3Ruler, but two cross bars may be used.

Working area:
X: 370 mm
Y: 270 mm



Vertical configuration

This configuration display one 3Ruler, but two cross bars may be used.

Working area:
X: 312 mm
Y: 270 mm

See also TPS-sheet "3R-239-xxx" covering 3Ruler and recommended accessories.

Note: The reference rail also enables the use of other products like: 3R-218-S, 3R-243.2-1 or 3R-272HP.

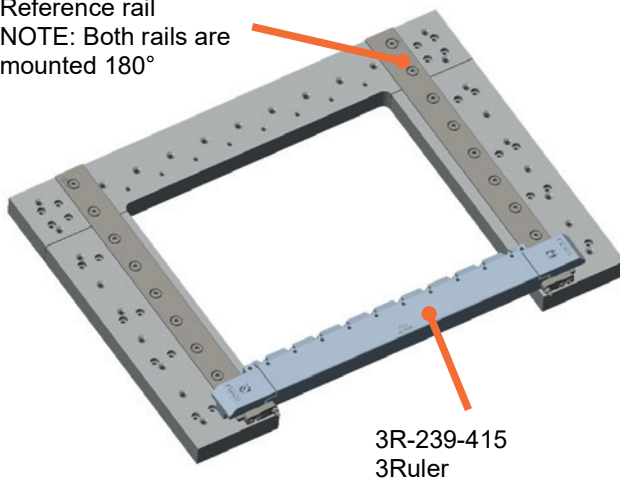
MIC – Machine Interface Configuration

July 10, 2019

Subject to modifications
MIC-2837

Makino – U32j, UP32j, W32FB (U-shape)

3R-200.44J-1 (2x)
Reference rail
NOTE: Both rails are
mounted 180°



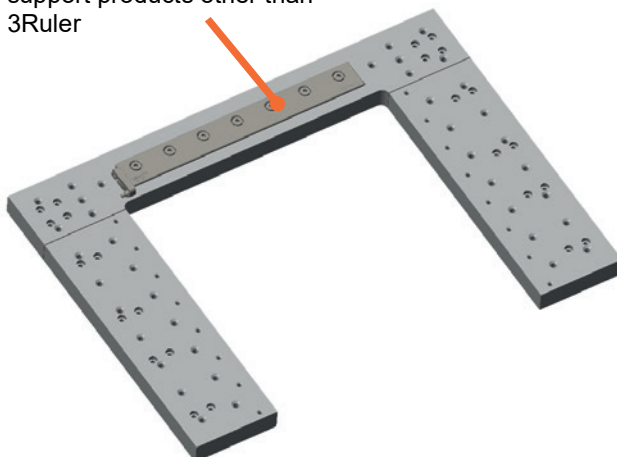
Machine table without tooling
Working area:
X: 370 mm
Y: 270 mm

Horizontal configuration

This configuration display one 3Ruler,
but two cross bars may be used.

Working area:
X: 370 mm
Y: 270 mm

3R-200.3J-1 (1x)
Reference rail may alone or
together with 3R-200.44J-1
support products other than
3Ruler



Vertical configuration

This U-shaped machine-table, does
not support 3Ruler.

Working area:
X: 370 mm
Y: 270 mm

See also TPS-sheet "3R-239-xxx" covering
3Ruler and recommended accessories.

Note: The reference rail also enables the
use of other products like: 3R-218-S,
3R-243.2-1 or 3R-272HP.

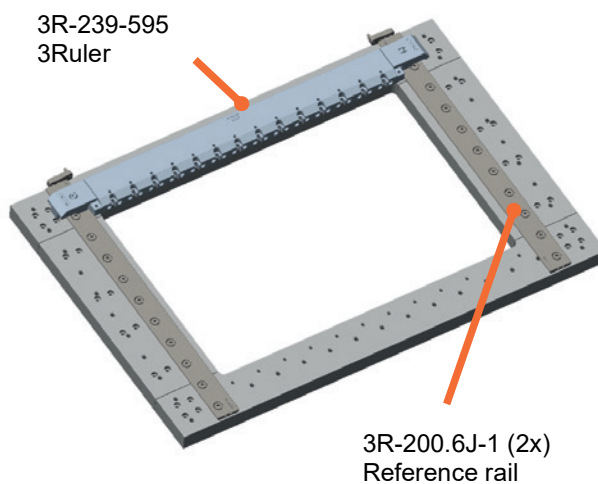
System 3R

MIC – Machine Interface Configuration

July 10, 2019

Subject to modifications
MIC-2838

Makino – U53j, U53Tj, UP53j, W53FB (Square)



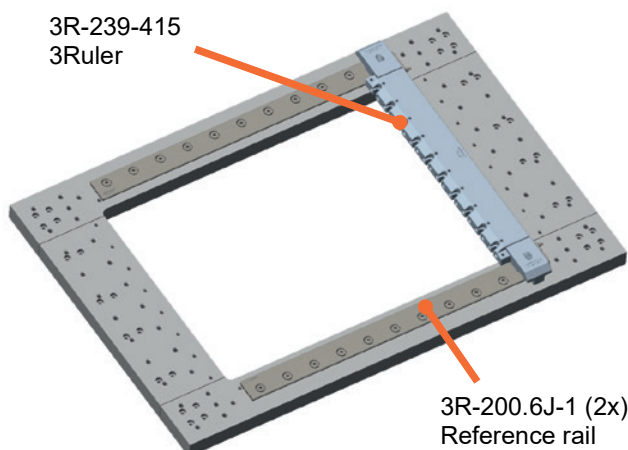
Machine table without tooling

Working area:
X: 550 mm
Y: 370 mm

Horizontal configuration

This configuration display one 3Ruler,
but two cross bars may be used.

Working area:
X: 550 mm
Y: 370 mm



Vertical configuration

This configuration display one 3Ruler,
but two cross bars may be used.

Working area:
X: 487 mm
Y: 370 mm

See also TPS-sheet "3R-239-xxx" covering
3Ruler and recommended accessories.

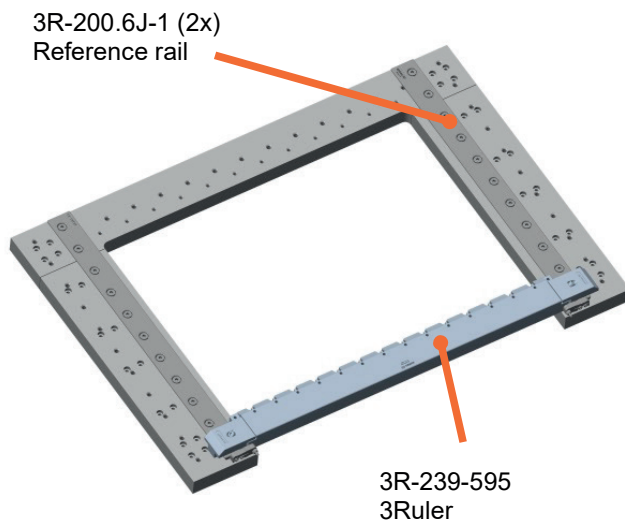
Note: The reference rail also enables the
use of other products like: 3R-218-S,
3R-243.2-1 or 3R-272HP.

MIC – Machine Interface Configuration

July 10, 2019

Subject to modifications
MIC-2839

Makino – U53j, U53Tj, UP53j, W53FB (U-shape)



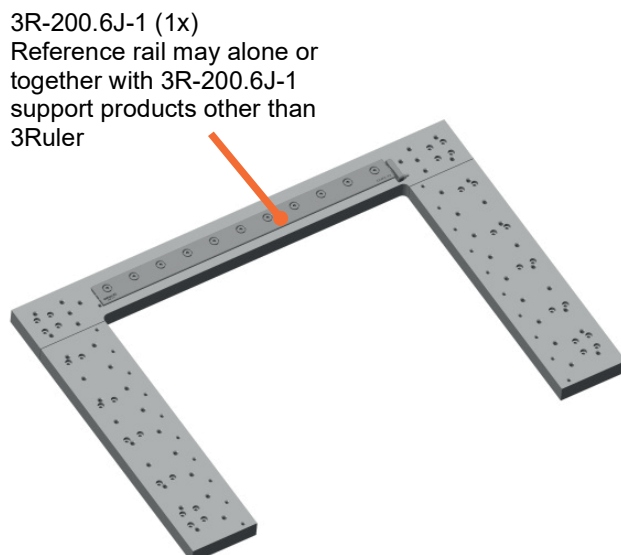
Machine table without tooling

Working area:
X: 550 mm
Y: 370 mm

Horizontal configuration

This configuration display one 3Ruler, but two cross bars may be used.

Working area:
X: 550 mm
Y: 370 mm



Vertical configuration

This U-shaped machine-table, does not support 3Ruler.

Working area:
X: 550 mm
Y: 370 mm

See also TPS-sheet "3R-239-xxx" covering 3Ruler and recommended accessories.

Note: The reference rail also enables the use of other products like: 3R-218-S, 3R-243.2-1 or 3R-272HP.

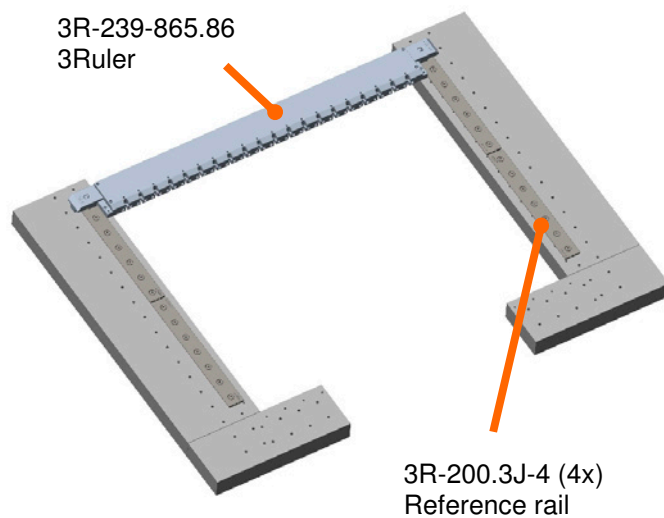
System 3R

MIC – Machine Interface Configuration

November 12, 2018

Subject to modifications
MIC-2840

Makino – U86 (L-shape)



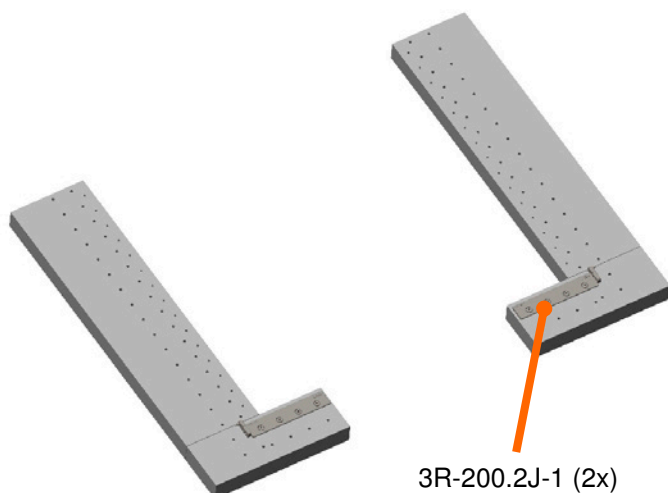
Machine table without tooling

Working area:
X: 800 mm
Y: 600 mm

Horizontal configuration

This configuration display one 3Ruler,
but two cross bars may be used.

Working area:
X: 800 mm
Y: 600 mm



Vertical configuration

This L-shaped machine-table, does
not support 3Ruler.

Working area:
X: 800 mm
Y: 600 mm

See also TPS-sheet “3R-239-xxx” covering
3Ruler and recommended accessories.

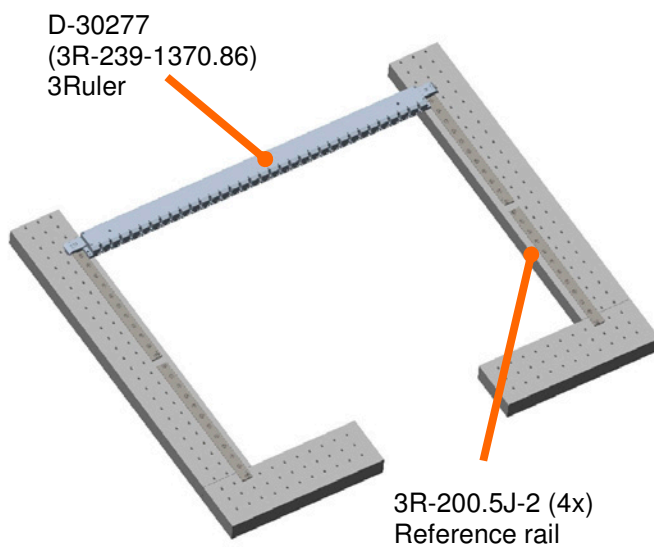
Note: The reference rail also enables the
use of other products like:
3R-243.2-1 or 3R-272HP.

MIC – Machine Interface Configuration

November 12, 2018

Subject to modifications
MIC-2842

Makino – U1310 (L-shape)



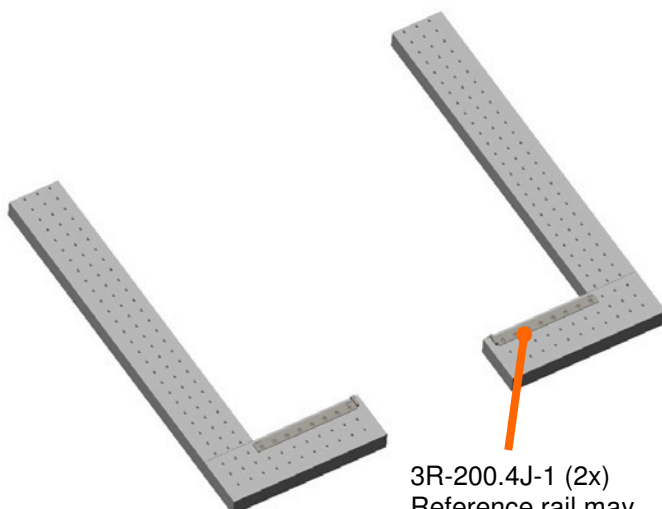
Machine table without tooling

Working area:
X: 1310 mm
Y: 1010 mm

Horizontal configuration

This configuration display one 3Ruler, but two cross bars may be used.

Working area:
X: 1310 mm
Y: 1010 mm



Vertical configuration

This L-shaped machine-table, does not support 3Ruler.

Working area:
X: 1310 mm
Y: 1010 mm

See also TPS-sheet “3R-239-xxx” covering 3Ruler and recommended accessories.

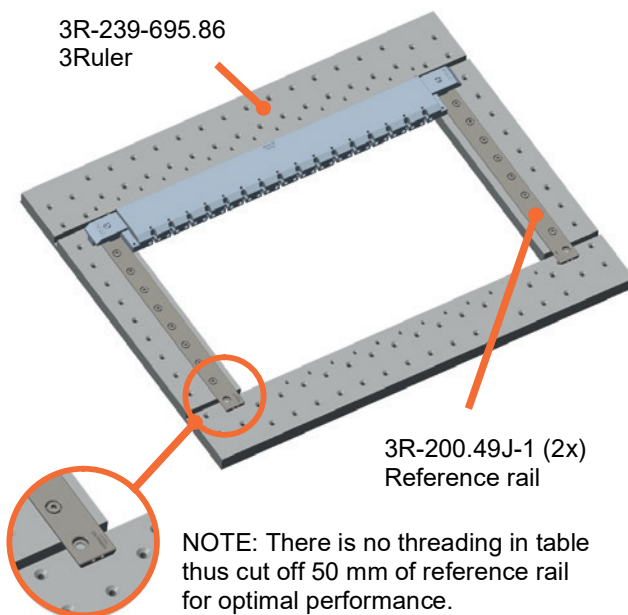
Note: The reference rail also enables the use of other products like: 3R-243.2-1 or 3R-272HP.

MIC – Machine Interface Configuration

November 15, 2018

Subject to modifications
MIC-2854

Makino – PX36, UP6



Machine table without tooling

Working area:

X: 650 mm

Y: 470 mm

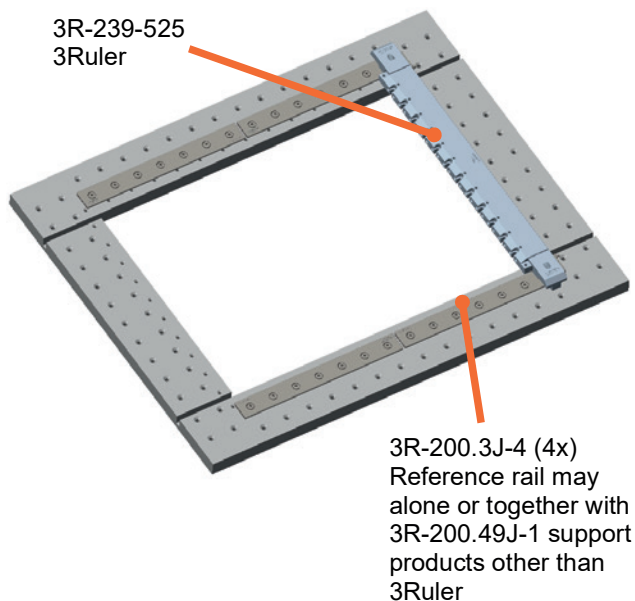
Horizontal configuration

This configuration display one 3Ruler, but two cross bars may be used.

Working area:

X: 650 mm

Y: 371 mm



Vertical configuration

This configuration display one 3Ruler, but two cross bars may be used.

Working area:

X: 612 mm

Y: 470 mm

See also TPS-sheet “3R-239-xxx” covering 3Ruler and recommended accessories.

Note: The reference rail also enables the use of other products like: 3R-218-S, 3R-243.2-1 or 3R-272HP.

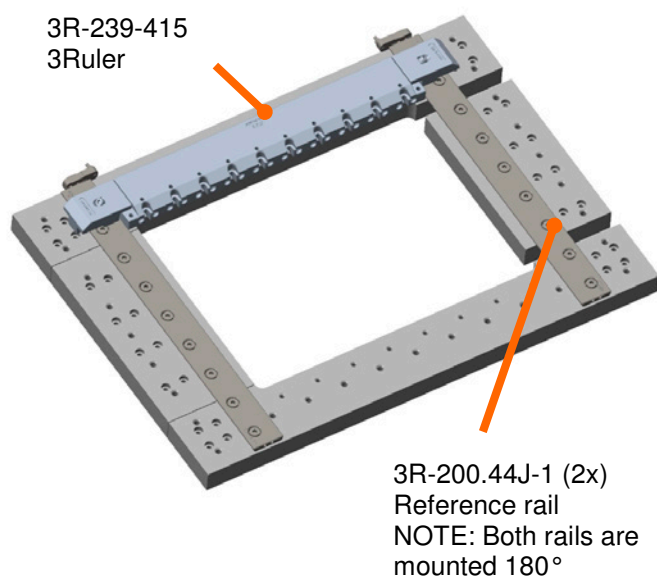
System 3R

MIC – Machine Interface Configuration

November 12, 2018

Subject to modifications
MIC-2834

Makino – UPV-3



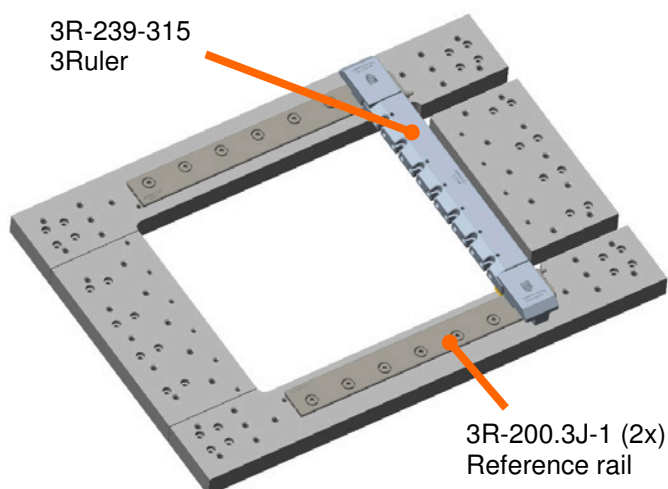
Machine table without tooling

Working area:
X: 370 mm
Y: 270 mm

Horizontal configuration

This configuration display one 3Ruler, but two cross bars may be used.

Working area:
X: 370 mm
Y: 270 mm



Vertical configuration

This configuration display one 3Ruler, but two cross bars may be used.

Working area:
X: 312 mm
Y: 270 mm

See also TPS-sheet “3R-239-xxx” covering 3Ruler and recommended accessories.

Note: The reference rail also enables the use of other products like: 3R-218-S, 3R-243.2-1 or 3R-272HP.

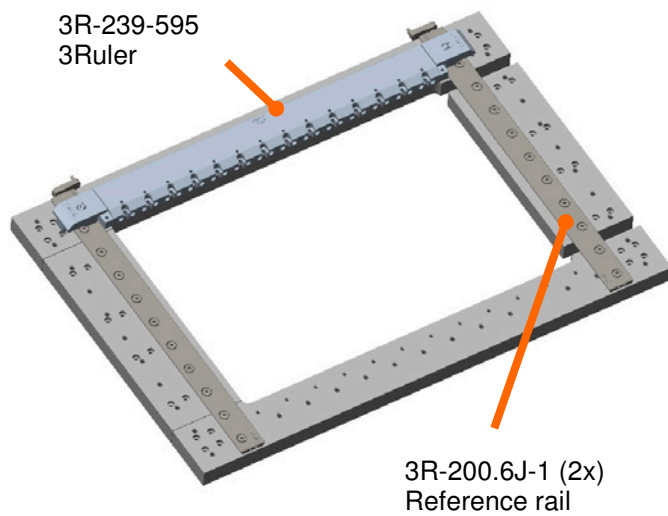
System 3R

MIC – Machine Interface Configuration

November 12, 2018

Subject to modifications
MIC-2835

Makino – UPV-5



Machine table without tooling

Working area:

X: 550 mm

Y: 370 mm

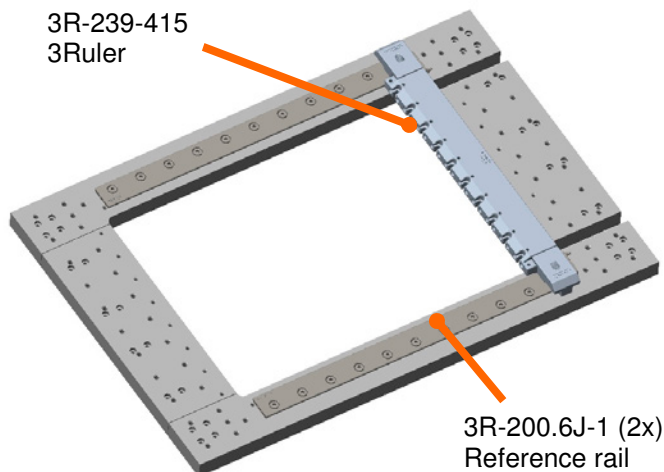
Horizontal configuration

This configuration display one 3Ruler, but two cross bars may be used.

Working area:

X: 550 mm

Y: 370 mm



Vertical configuration

This configuration display one 3Ruler, but two cross bars may be used.

Working area:

X: 487 mm

Y: 370 mm

See also TPS-sheet “3R-239-xxx” covering 3Ruler and recommended accessories.

Note: The reference rail also enables the use of other products like: 3R-218-S, 3R-243.2-1 or 3R-272HP.

