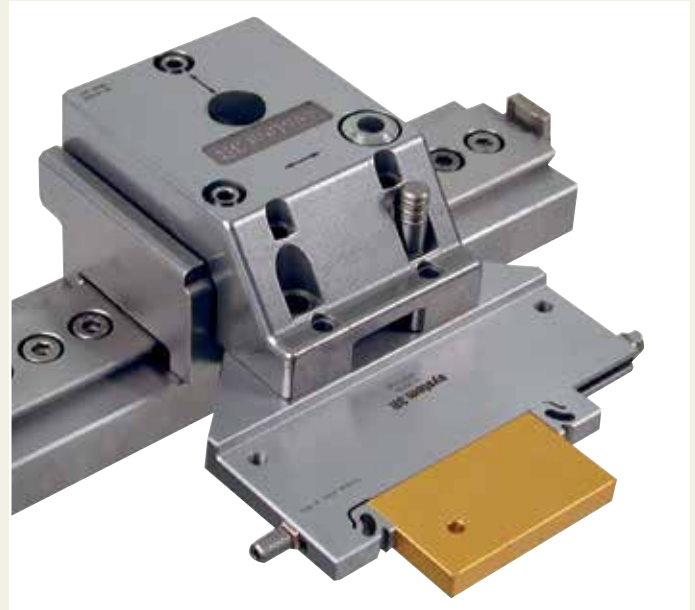


# Holders and vices for mounting in mounting heads

Supervice solves setting-up problems for the most frequently occurring sizes of workpiece – small to medium-sized.

The high repetition accuracy not only allows presetting and fast setup; it also provides a solid foundation for rational series production. The springback is minimal and resonance damping is significant. Add this together and you have a very firm grip on production. SuperVice delivers more than others dare to promise.

- + The low profile gives clearance from the upper and lower wire guides
- + High clamping force.

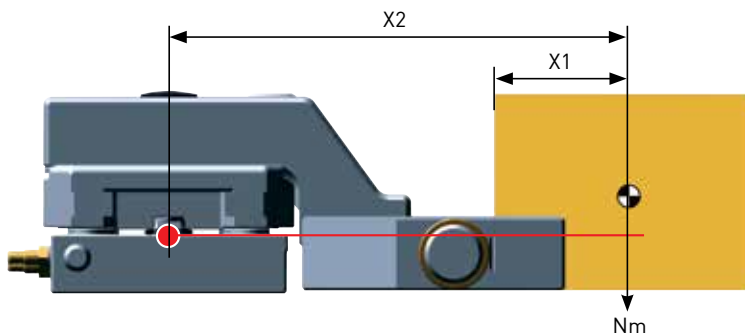


The unique, patented asymmetric design of the locking jaws gives extremely high locking force and enhances the contact between the workpiece and the reference surface at the same time.

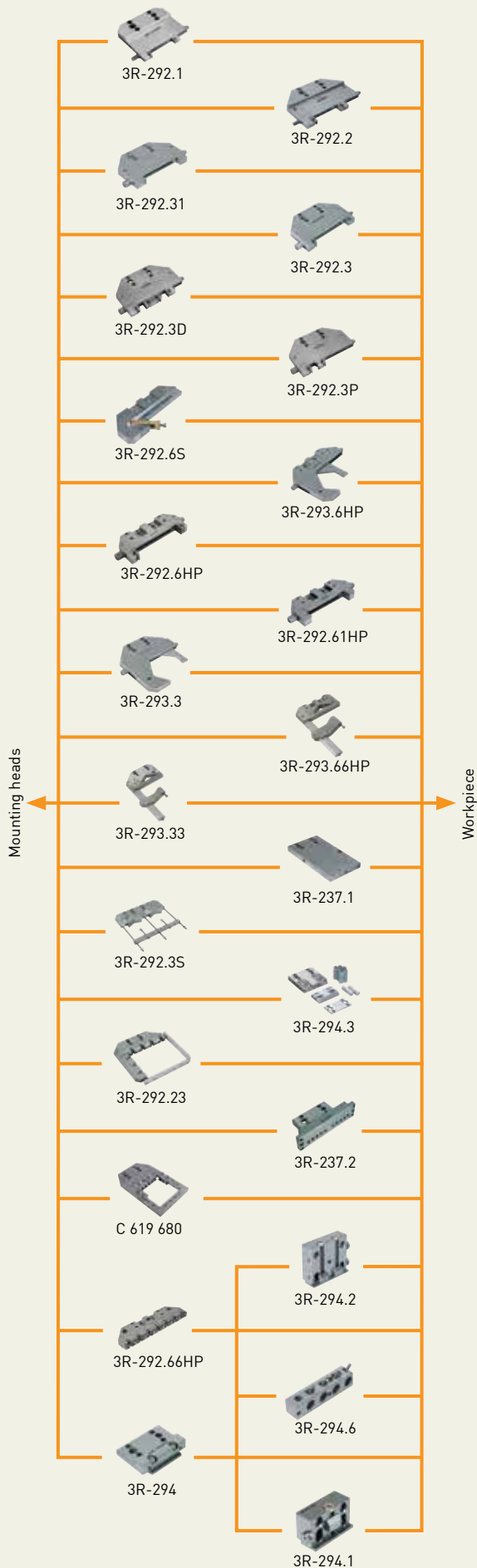


Article number	X1 Recommended maximum torque	Maximum workpiece weight X1* = 50 mm	Maximum workpiece weight X1* = 100 mm	X2 Torque generated in chuck coupling
3R-292.1	3.0 Nm	6 kg	3.0 kg	10.8 Nm
3R-292.2	3.5 Nm	7 kg	3.5 kg	12.4 Nm
3R-292.3	8.0 Nm	16 kg	8.0 kg	28.6 Nm
3R-292.3D	8.0 Nm	16 kg	8.0 kg	28.6 Nm
3R-292.3P	8.0 Nm	16 kg	8.0 kg	28.6 Nm
3R-292.31	5.5 Nm	11 kg	5.5 kg	20.0 Nm
3R-292.6HP	20.0 Nm	40 kg	20.0 kg	63.0 Nm
3R-292.61HP	13.0 Nm	26 kg	13.0 kg	39.6 Nm
3R-292.6S	9.0 Nm	18 kg	9.0 kg	30.4 Nm
3R-294.1	2.5 Nm	5 kg	2.5 kg	9.3 Nm
3R-294.2	5.0 Nm	10 kg	5.0 kg	18.8 Nm
3R-294.3	6.0 Nm	12 kg	6.0 kg	20.4 Nm

\*Centre of gravity of the workpiece with X mm overhang



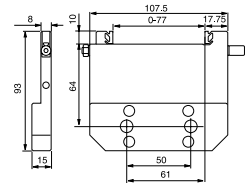
# Holders and vices for mounting in mounting heads



## SuperVice, 3R-292.1

For clamping rectangular workpieces up to 77 mm.

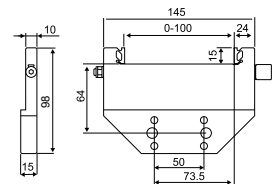
- Tightening torque 3 Nm
- Weight 0.6 kg.



## SuperVice, 3R-292.2

For clamping rectangular workpieces up to 100 mm.

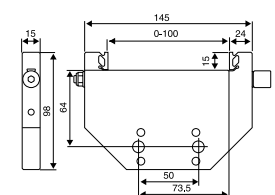
- Tightening torque 3 Nm
- Weight 0.9 kg.



## SuperVice, 3R-292.3

For clamping rectangular workpieces up to 100 mm.

- Tightening torque 7 Nm
- Weight 1.1 kg.

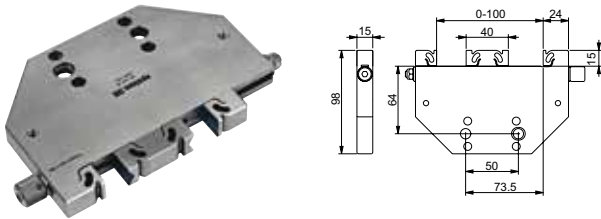


# Holders and vices for mounting in mounting heads

## SuperVice, Double, 3R-292.3D

For collision-free clamping of both rectangular and round workpieces (14-45 mm and  $\varnothing$  3-15 mm respectively). Total clamping range, 60 mm (to be split between two workpieces). Alternatively, dismount the double jaw and use as a regular 3R-292.3 vice for rectangular workpieces (0-100 mm).

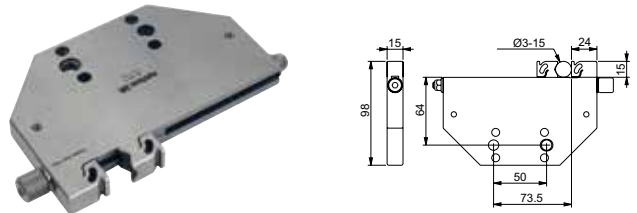
- Tightening torque 7 Nm
- Weight 1.2 kg.



## SuperVice, Prism, 3R-292.3P

For vertical or horizontal collision-free clamping of round workpieces ( $\varnothing$  3-15 mm). Alternatively, rotate the movable jaw and use as a regular 3R-292.3 vice for rectangular workpieces (0-100 mm).

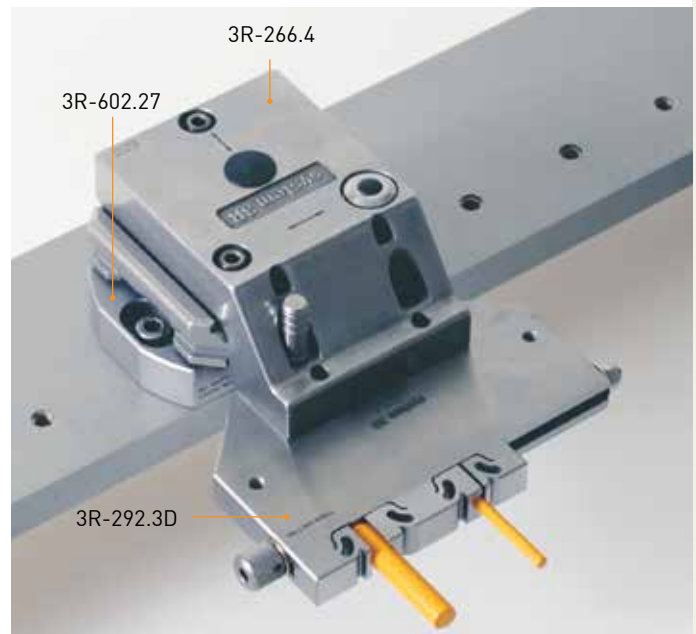
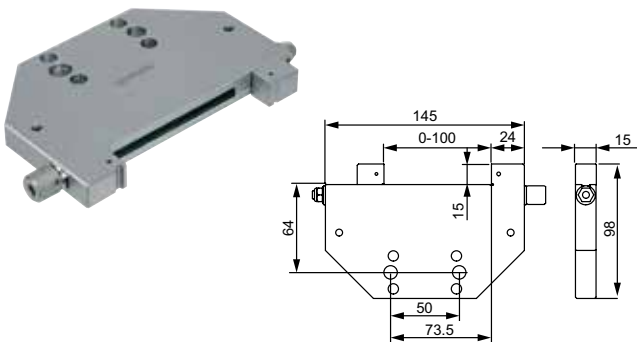
- Tightening torque 7 Nm
- Weight 1.1 kg.



## SuperVice, 3R-292.31

Vice with solid jaws for clamping rectangular workpieces up to 100 mm.

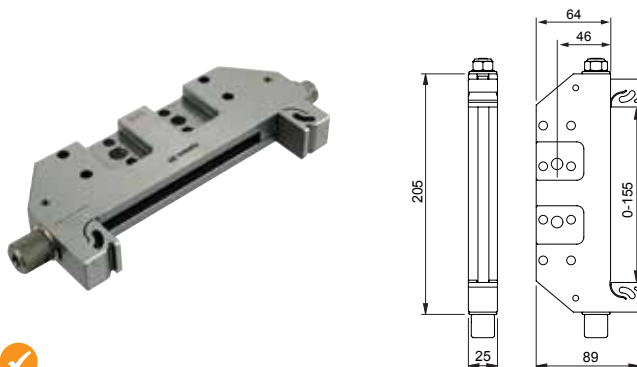
- Tightening torque 8 Nm
- Weight 1.1 kg.



## SuperVice, Magnum, 3R-292.6HP

Vice for clamping rectangular workpieces up to 155 mm. Note: Mounts on HP, Magnum or MacroTwin levelling adapter.

- Tightening torque 15 Nm
- Weight 2.8 kg.

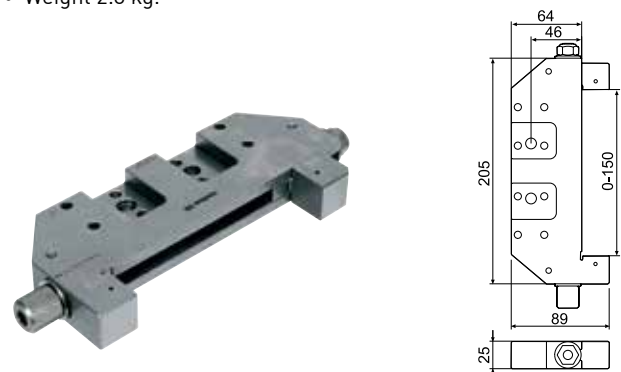


## SuperVice, Magnum, 3R-292.61HP

Vice with solid jaws for clamping rectangular workpieces up to 150 mm.

Note: Mounts on HP, Magnum or MacroTwin levelling adapter.

- Tightening torque 15 Nm
- Weight 2.8 kg.

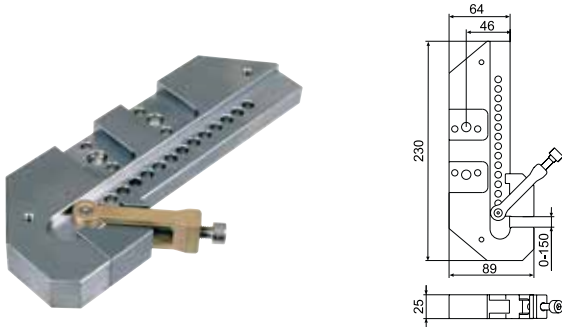


# Holders and vices for mounting in mounting heads

## SuperVice, Magnum, 3R-292.6S

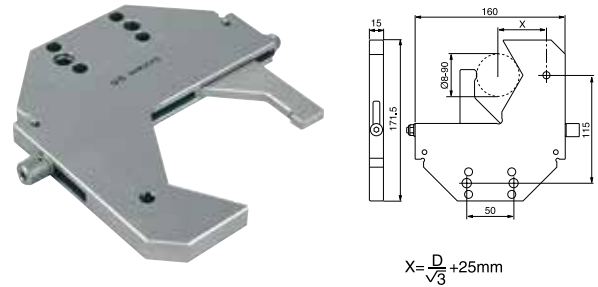
Vice for clamping rectangular workpieces up to 150 mm.  
 Note: Mounts on HP, Magnum or MacroTwin levelling adapter.

- Tightening torque 10 Nm
- Weight 2.7 kg.



## SuperVice, 3R-293.3

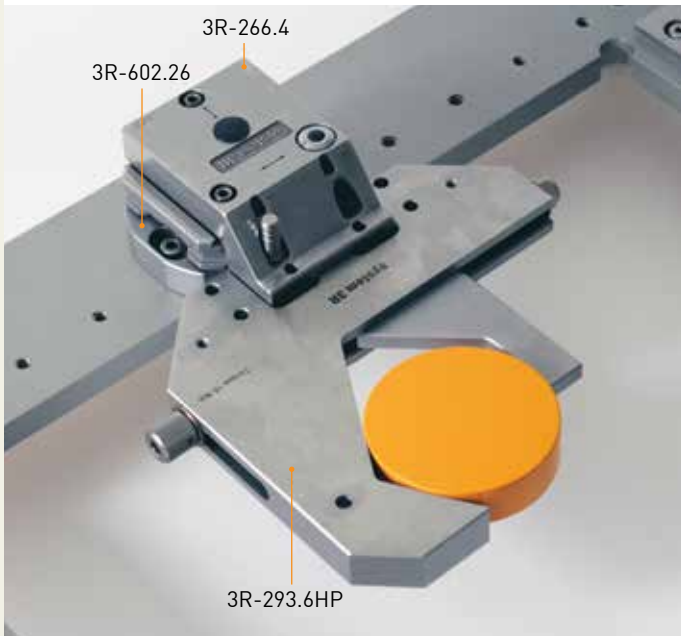
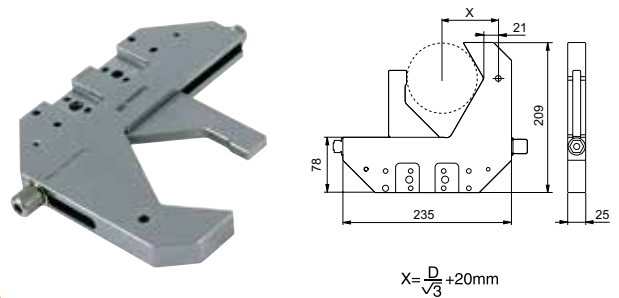
Vice for clamping round workpieces 8-90 mm.  
 • Tightening torque 8 Nm  
 • Recommended maximum workpiece weight 7 kg  
 • Weight 1.7 kg.



## SuperVice, Magnum, 3R-293.6HP

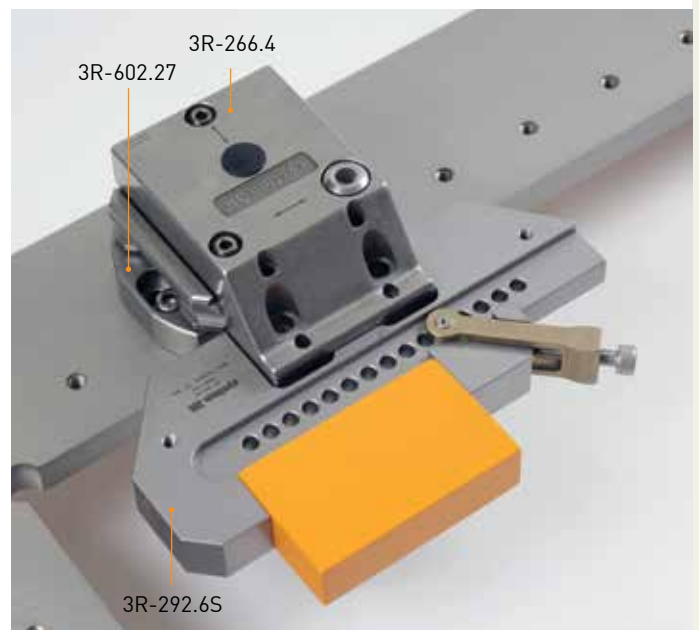
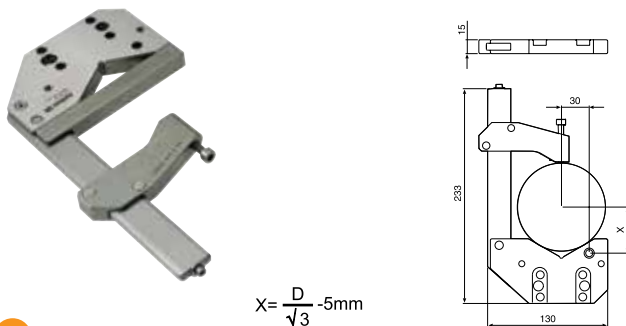
Vice for clamping round workpieces 15-155 mm.  
 Note: Mounts on HP, Magnum or MacroTwin levelling adapter.

- Tightening torque 10 Nm
- Recommended maximum workpiece weight 12 kg
- Weight 4.5 kg.



## Universal holder, 3R-293.33

Holder for round workpieces 8-100 mm, or rectangular workpieces up to 100 mm.  
 • Tightening torque 3 Nm  
 • Recommended maximum workpiece weight 7 kg.  
 • Weight 1.5 kg.



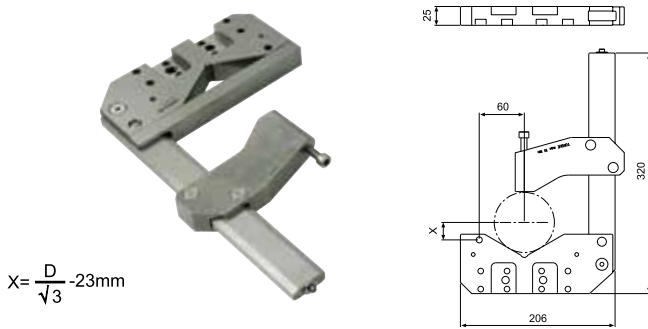
# Holders and vices for mounting in mounting heads

## Universal holder, Magnum, 3R-293.66HP

For round workpieces 15-150 mm diameter, or rectangular workpieces up to 150 mm.

Note: Mounts on HP, Magnum or MacroTwin mounting head.

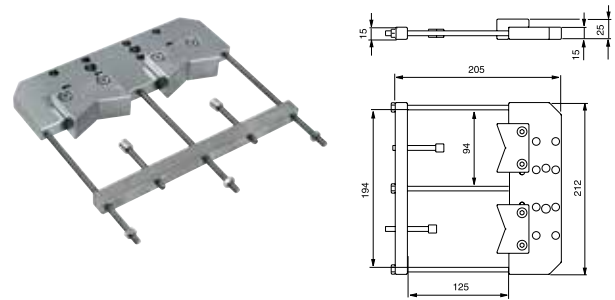
- Tightening torque 6 Nm
- Recommended maximum workpiece weight 12 kg.
- Weight 4.2 kg.



## Universal holder, 3R-292.3S

Holder for round workpieces up to 90 mm, or rectangular workpieces 100x90 mm.

- Tightening torque 4 Nm
- Recommended maximum workpiece weight 7 kg.
- Weight 2.3 kg.

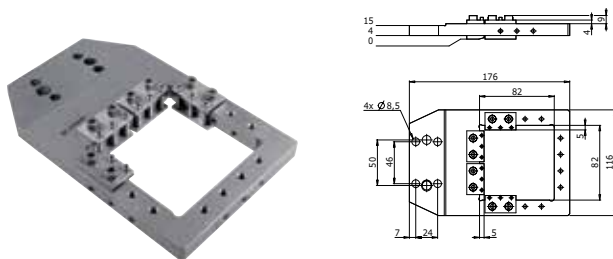


## Clamping frame, C 619 680

Carrier for flat round or cubic workpieces up to 80x80 mm.

Note: Mounts on HP, Magnum or MacroTwin levelling adapter.

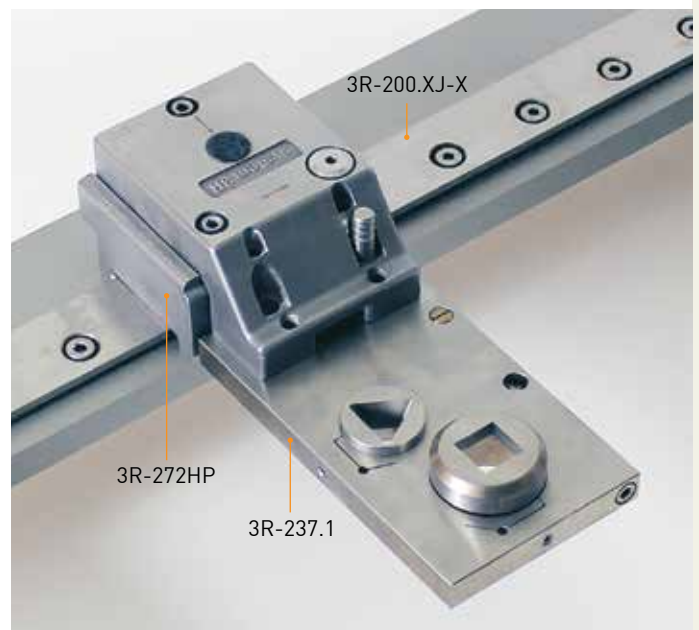
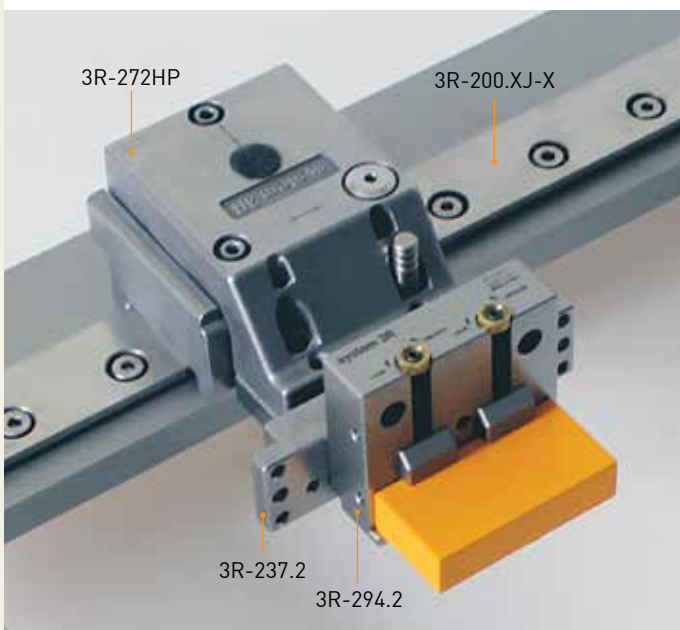
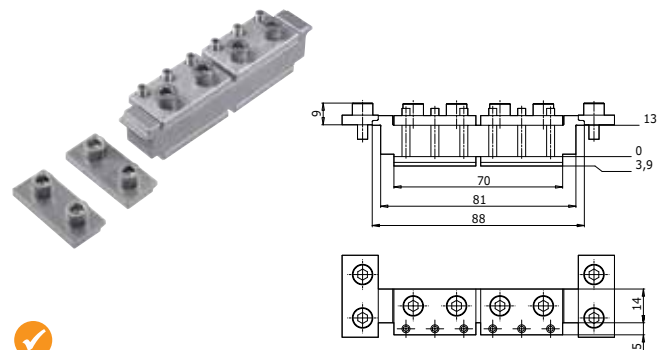
- Functional height 13 mm
- Clamping range round or cubic up to 80 mm / maximum workpiece height 12 mm
- Maximum workpiece weight 1.5 kg
- Maximum workpiece dimensions Ø 80 mm or 80x80 mm
- Weight 0.9 kg.



## Clamping bar to clamping frame, C 619 670

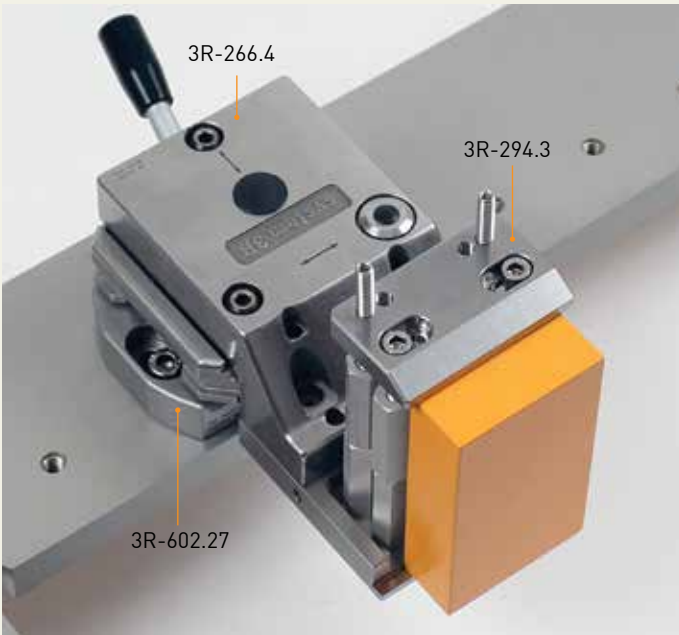
Clamping bar to use with ICS clamping frame C 619 680.

- Dimensions 88 x 20 x 26 mm
- Overall height 26 mm (incl. support lips and clamping lips)
- Weight 0.25 kg.





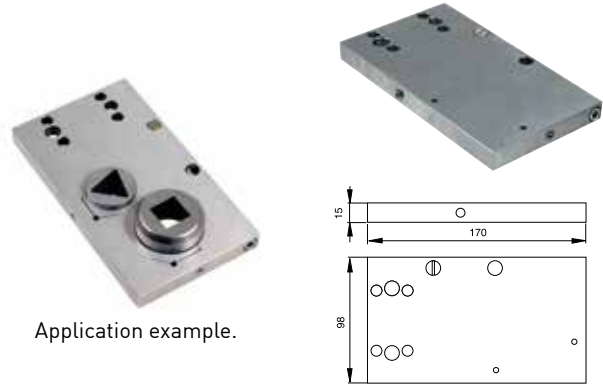
# Holders and vices for mounting in mounting heads



## Holder, 3R-237.1

Stainless steel hardened "do-it-yourself" holder. With start hole for wire EDM of the required shape for clamping one or more workpieces.

- Recommended maximum weight 7 kg
- Weight 1.2 kg.

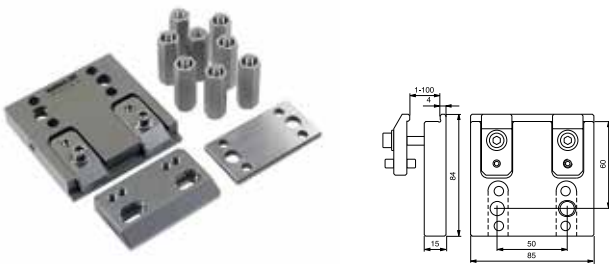


Application example.

## Vice, 3R-294.3

For clamping workpieces up to 100 mm.

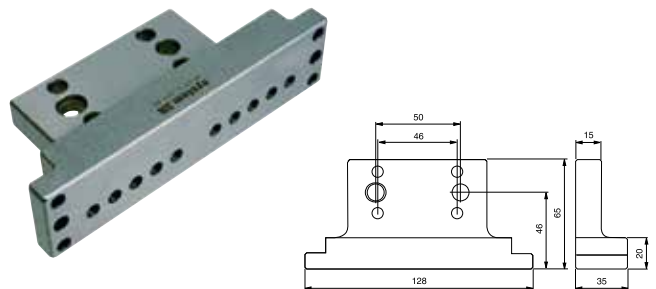
- Tightening torque 7 Nm
- Weight 0.7 kg.



## Holder, 3R-237.2

For fixture, workpiece or 3R-239.2, 3R-239.3, 3R-294.1, 3R-294.2, 3R-294.6 and 3R-402.1.

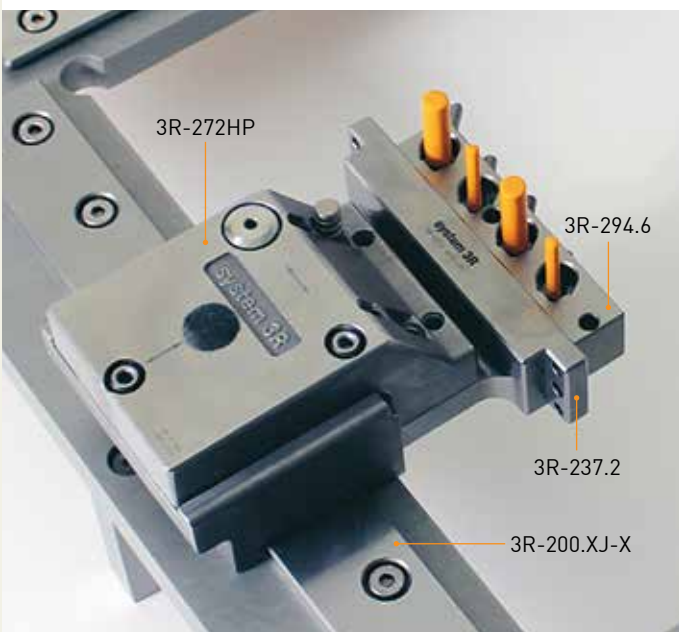
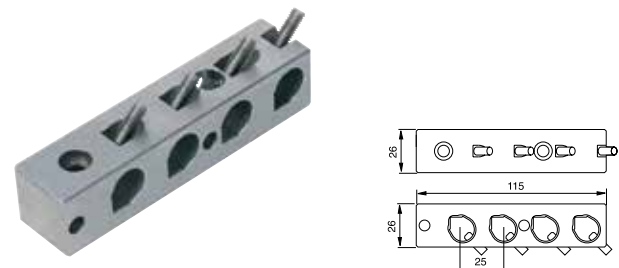
- Weight 0.6 kg.



## Multiple holder, 3R-294.6

For mounting four workpieces  $\varnothing 5-13$  mm at the same time. Mounts on 3R-237.2, 3R-294, 3R-292.66HP or a ruler in the 3Ruler system.

- Tightening torque 3 Nm
- Weight 0.6 kg.



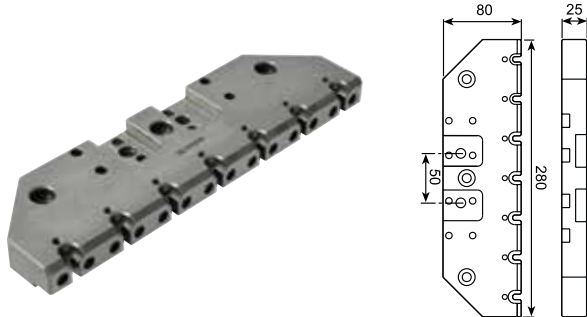
# Holders and vices for mounting in mounting heads

## Holder, Magnum, 3R-292.66HP

Can be supplemented with 3Ruler accessories.

Note: Mounts on an HP mounting head.

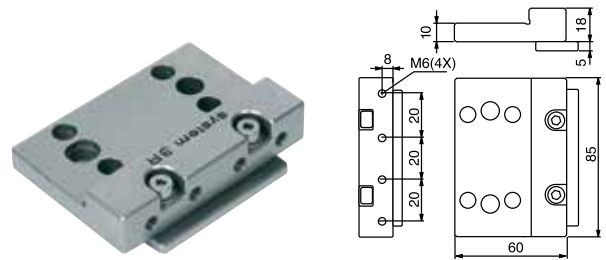
- Weight 3 kg.



## Adapter, 3R-294

For mounting 3R-294.1, 3R-294.2 and 3R-294.6 on a levelling adapter.

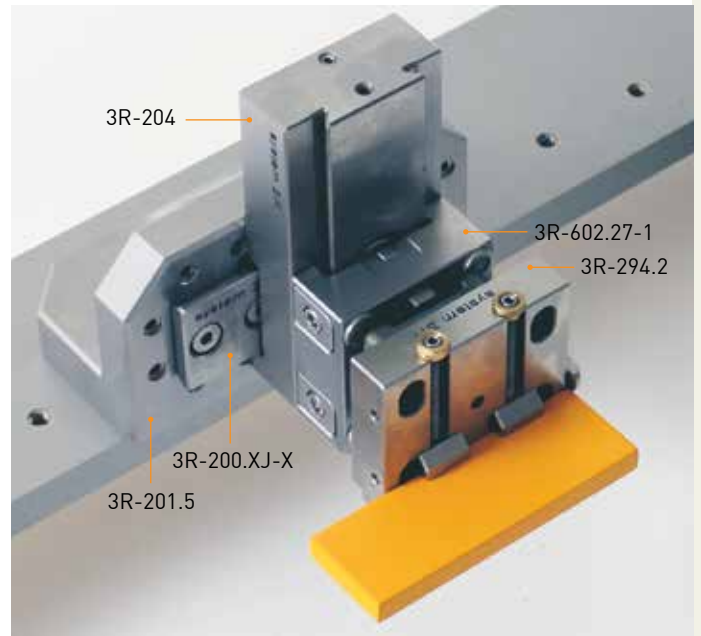
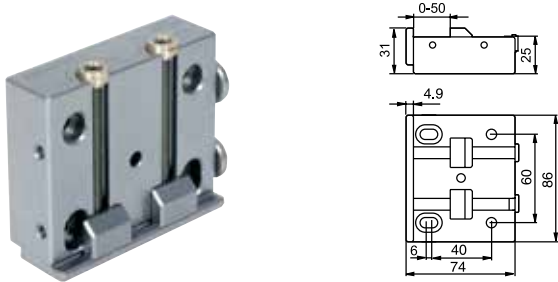
- Weight 0.6 kg.



## Vice, 3R-294.2

For clamping workpieces up to 50 mm. Mounts on 3R-237.2, 3R-294, 3R-292.66HP or a ruler in the 3Ruler system or Macropallet 54x54 mm.

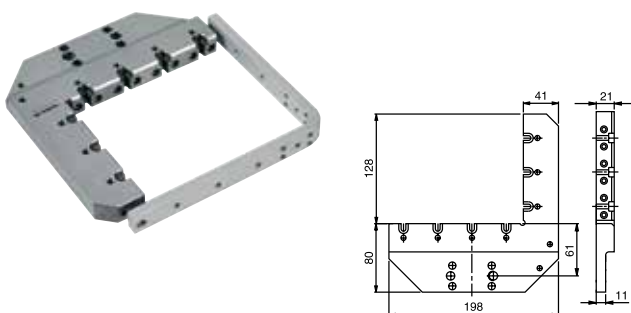
- Tightening torque 3 Nm
- Weight 1.2 kg.



## Angled holder, 3R-292.23

For clamping a workpiece or fixture on a mounting head. Can be supplemented with 3Ruler accessories.

- Weight 3 kg.



## Vice, 3R-294.1

For clamping workpieces up to 17 mm. Mounts on 3R-237.2, 3R-294, 3R-292.66HP or rulers in the 3Ruler system.

- Tightening torque 3 Nm
- Weight 0.5 kg.

